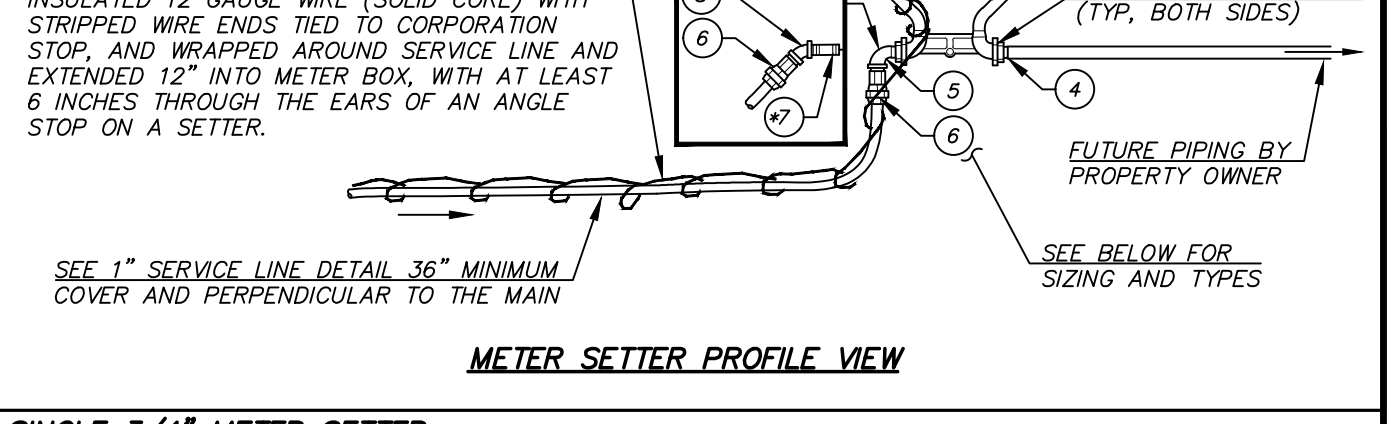
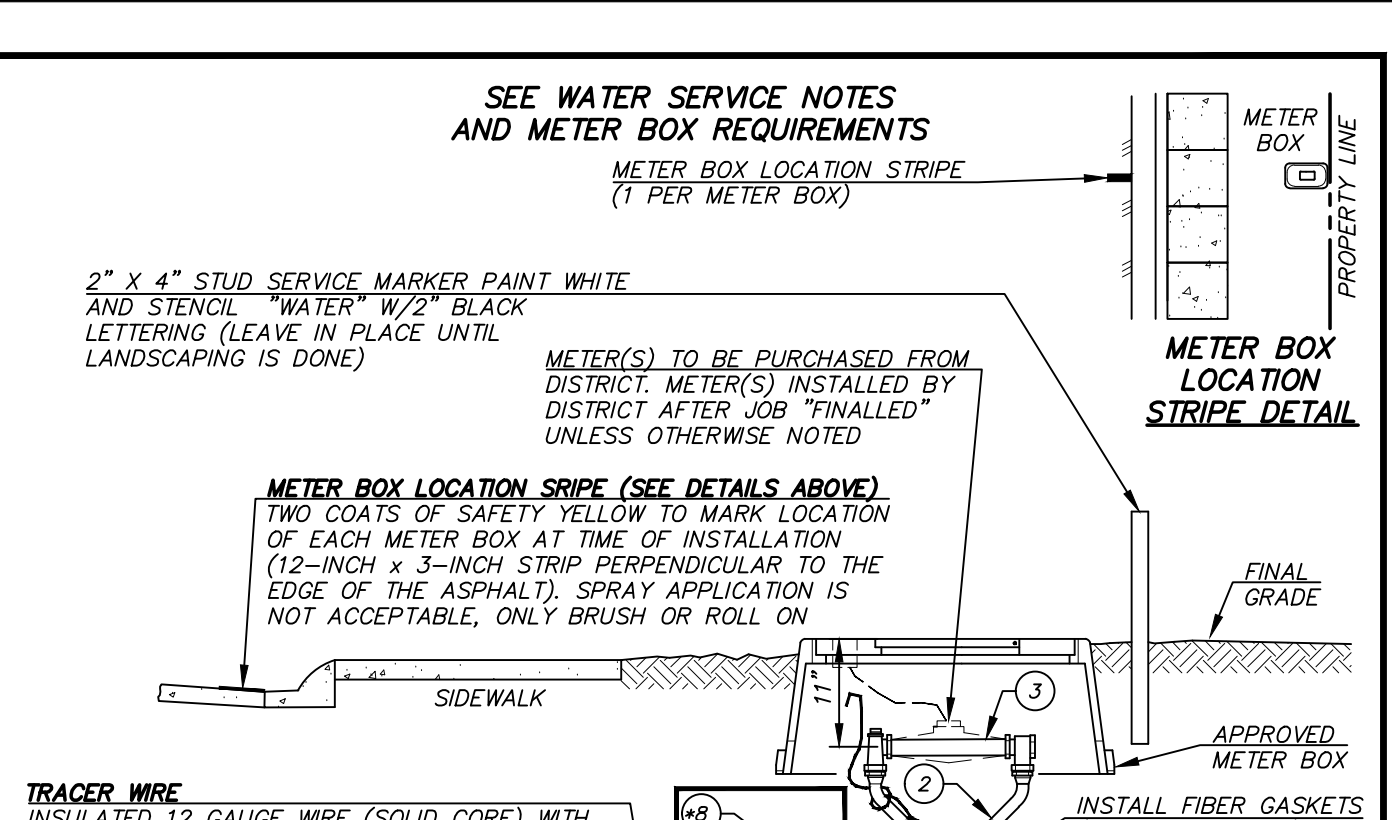


ITEM	DESCRIPTION	FORD PART NO.	MUELLER PART NO.	A.Y. MCDONALD	OTHER PART NO.	QTY
1	1" SADDLE I.P.T.	N/A	N/A	N/A	ROMAC 2025	1
2	1" CORPSTOP (MIP/MIP)	FB500-4	B2996	3131B1	N/A	1
3	1" HOPE PIPE	DISCOPLEX 5100 ULTRA LINE SDR7 200 IPS OR PW EAGLE				1
4	1" FIP/COMPRESSION ADAPTOR W/ STAINLESS STEEL STIFFENER	CI6-44P	H15454.10	4754-33	N/A	1
5	1" FIP/COMPRESSION ADAPTOR W/ STAINLESS STEEL STIFFENER	INSERT 53-72	505142	6136	N/A	2

1" SERVICE LINE REV. 10/19/17

- NOTES**
- ALL PIPE AND FITTINGS TO BE ASSEMBLED WITH TEFLON TAPE AND PIPE DOPE UNLESS OTHERWISE NOTED.
 - SERVICE LINES SHALL BE INSTALLED PERPENDICULAR TO THE WATER MAIN.
 - THE SERVICE LINE SHALL BE INSTALLED TO ALLOW FOR THE FAR SIDE OF THE METER BOX TO BE INSTALLED ON THE R/O/W AND CENTERED ON THE PROPERTY LINE OR EASEMENT LINE, UNLESS OTHERWISE DIRECTED BY THE DISTRICT.
 - THE METER BOX SHALL BE INSTALLED WITH THE FAR SIDE OF THE METER BOX (BACK SIDE) ON THE R/O/W, PROPERTY LINE OR EASEMENT LINE, IN LANDSCAPED (NON-TRAFFIC, NON-CRUSHED SURFACING TOP COARSE, NON-CONCRETE) AREAS.
 - BACKFILL AROUND METER BOXES AND SETTERS SHALL BE WITH IMPORTED BACKFILL, OR WITH NATIVE MATERIAL THAT MEETS THE REQUIREMENTS FOR IMPORTED BACKFILL, EXCEPT THAT 100% SHALL PASS 2" SQUARE, PEA GRAVEL OR SAND ARE NOT ALLOWED.
 - PROVIDE AT LEAST 18-INCHES CLEARANCE FROM ALL OTHER UTILITIES, BUSHES, AND OBSTRUCTIONS. PROVIDE AT LEAST 5- FEET FROM ALL TREES, AND STRUCTURES. NO FENCES OR ROCKERIES SHALL BE PLACED BETWEEN THE METER BOX AND THE MAIN.
 - METER BOXES LOCATED WITHIN 2 FEET OF DRIVEWAYS, PAVED AREAS, OR AREAS WHERE THE BOX CAN BE SUBJECT TO VEHICULAR TRAFFIC SHALL BE A TRAFFIC BEARING METER BOX AS NOTED BELOW. LOCATING A METER BOX IN AN AREA SUBJECT TO VEHICULAR TRAFFIC REQUIRES WRITTEN DISTRICT APPROVAL DURING DESIGN. METER BOXES THAT BECOME LOCATED IN TRAFFIC AREAS DURING OR AFTER CONSTRUCTION WITHOUT DISTRICT WRITTEN APPROVAL DURING DESIGN SHALL BE ABANDONED AT THE MAIN AND A NEW SERVICE SHALL BE INSTALLED TO A LANDSCAPED (NON-TRAFFIC) AREA.
 - WHERE TRAFFIC BEARING METER BOXES ARE USED WITHIN A CONCRETE SURFACE, A 5/8 INCH EXPANSION JOINT SHALL BE PROVIDED AROUND THE BOX WITH AN EIGHTEEN (18) INCH GAP BETWEEN THE EXPANSION JOINT AND METER BOX ON ALL SIDES.
 - APPROVED METER BOXES SHALL BE AS FOLLOWS:
A) APPROVED METER BOXES FOR SINGLE SERVICES IN NON-TRAFFIC AREAS: CARSON 1220-12
B) FOR SINGLE SERVICE IN TRAFFIC AREAS: FOGTITE B10 W/ALUMINUM LID.
 - MAINTAIN AND LEAVE SERVICE MARKER IN PLACE UNTIL LANDSCAPING IS DONE.
 - ANY DEVIATION FROM THESE ABOVE STANDARDS SHALL REQUIRE A WRITTEN VARIANCE REQUEST TO THE DISTRICT FOR REVIEW AND CONSIDERATION.

WATER SERVICE NOTES AND METER BOX REQUIREMENTS REV. 10/27/17



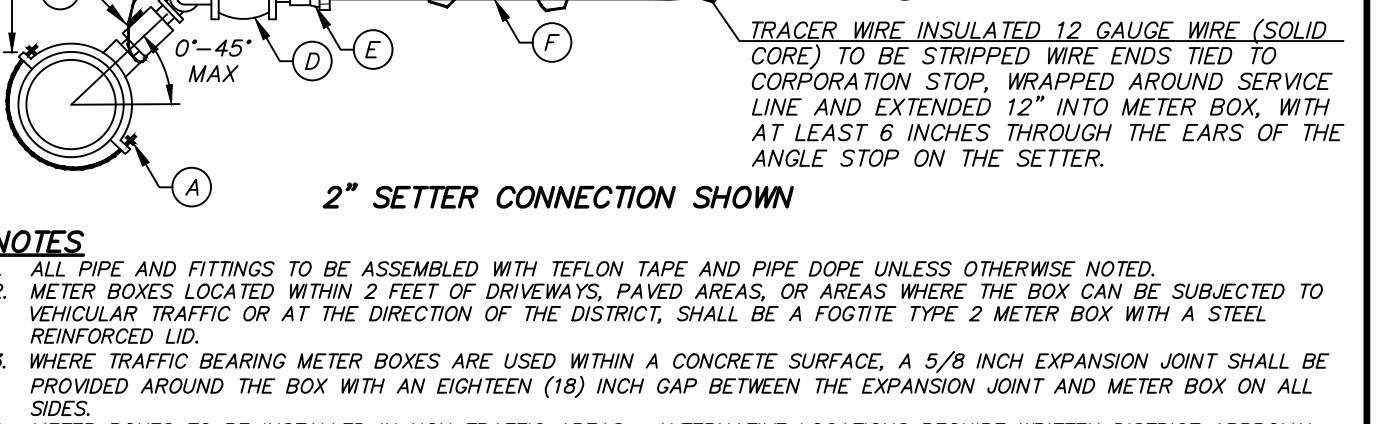
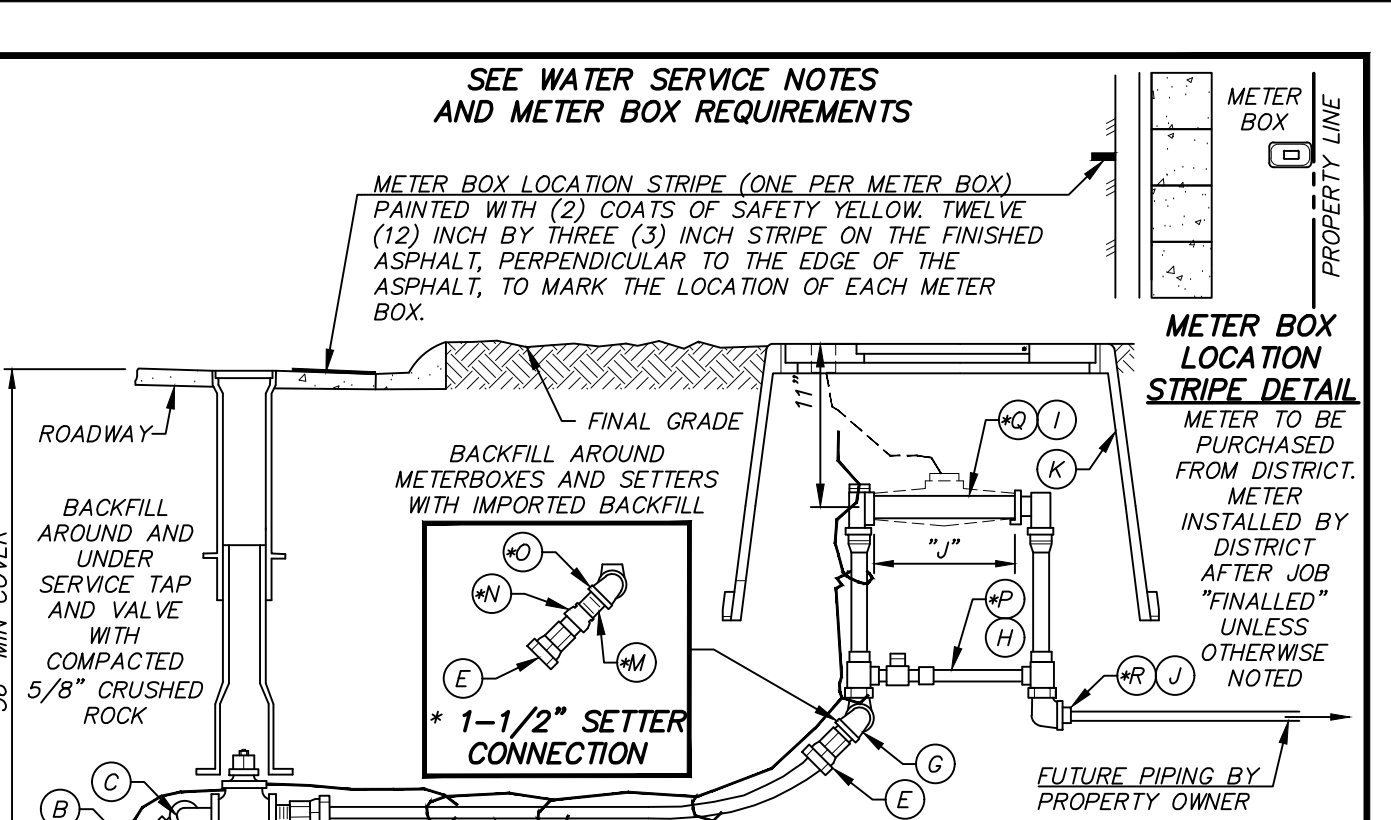
SINGLE 3/4" METER SETTER

ITEM	DESCRIPTION	FORD PART NO.	MUELLER PART NO.	A.Y. MCDONALD	OTHER PART NO.	QTY
1	NOT REQUIRED					
2	3/4" METER SETTER	VBH72-12W-11-33-NL	N/A	N/A	N/A	1
3	1" x 7-1/2" IDLER W/WASHERS					1
4	3/4" PVC PLUG				PVC SCH 80	1
5	3/4" BRASS 90° STREET ELL				PVC SCH 40/80	1
6	3/4" MIP x 1" IPS PAC JOINT W/ STIFFENER	FOC8634	H15429	473-CP	N/A	1
7	3/4" x 3" BRASS NIPPLE (OPTIONAL)					1
8	3/4" BRASS 45° BEND OR ELL (OPTIONAL)					1

SINGLE 1" METER SETTER

ITEM	DESCRIPTION	FORD PART NO.	MUELLER PART NO.	A.Y. MCDONALD	OTHER PART NO.	QTY
1	NOT REQUIRED					
2	1" METER SETTER	VBH74-12W-11-44-NL	N/A	N/A	N/A	1
3	1-1/4" x 1" IDLER W/WASHERS					1
4	1" PVC PLUG				PVC SCH 40/80	1
5	1" BRASS 90° STREET ELL					1
6	1" MIP x 1" IPS PAC JOINT W/ STIFFENER	FOC8644	H15429	473-CP	N/A	1
7	1" x 3" BRASS NIPPLE (OPTIONAL)					1
8	1" BRASS 45° BEND OR ELL (OPTIONAL)					1

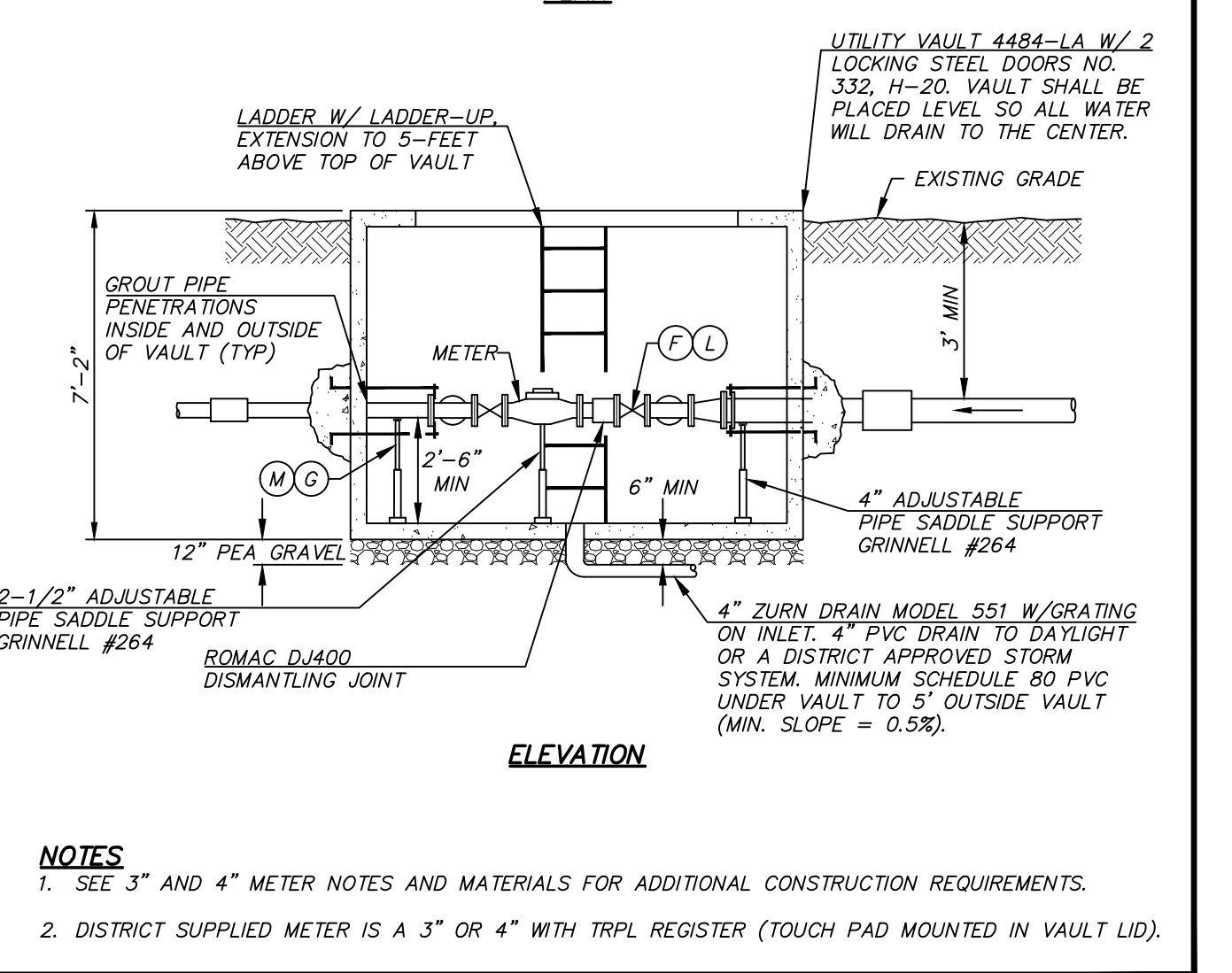
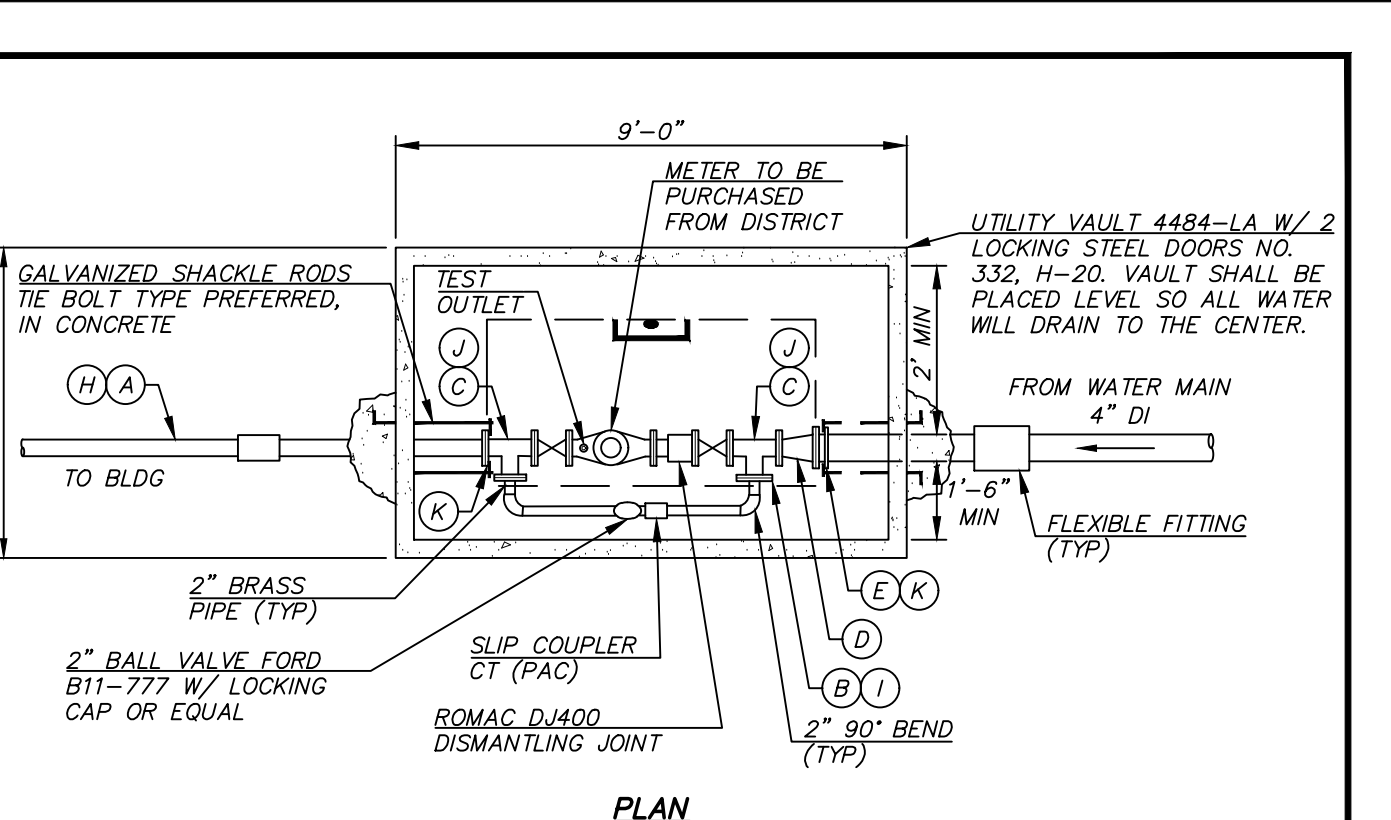
3/4" AND 1" METER SETTER REV. 10/27/17



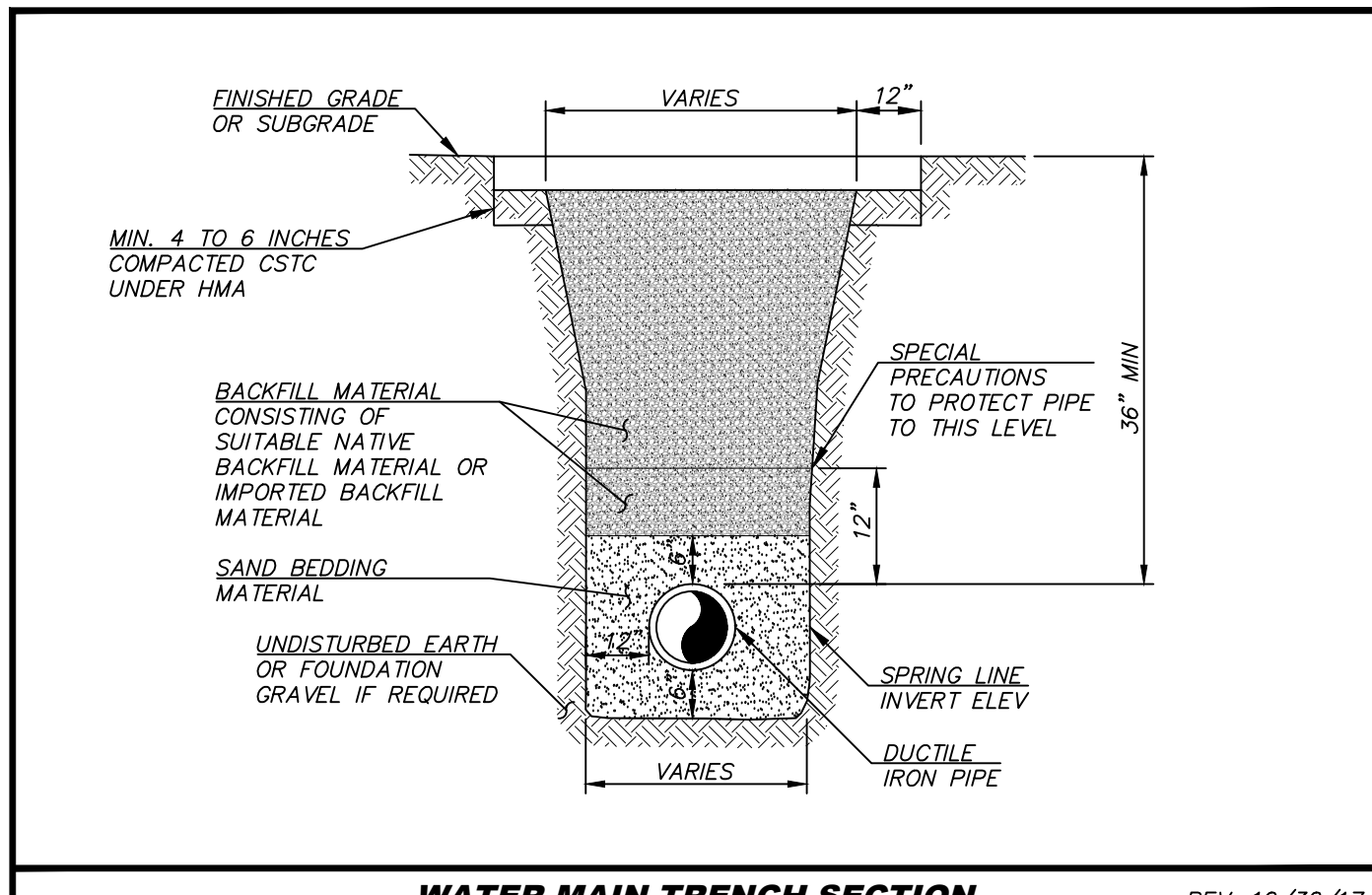
1-1/2" AND 2" METER SETTER

ITEM	QTY	DESCRIPTION
A	1	2" ROMAC SADDLE IPT, STYLE #2025, DOUBLE STRAP
B	1	2" CORPORATION STOP MIP X MIP, W/ NUT ON TOP (FORD# FB500, MUELLER# B2996, A.Y. MCDONALD# 3131B)
C	2	2" BRASS STREET ELBOW (SWING JOINT)
D	1	2" (RSO) GATE VALVE X FIP W/SQUARE OPERATING NUT W/ CAST IRON VALVE BOX AND LONG SKIRT LID
E	1	2" PACK JOINT W/STAINLESS STEEL STIFFENER X MIP (FORD# C86-77, MUELLER# E15929)
F	VARIOUS	DISCOPLEX 5100 ULTRA LINE OR PW EAGLE, 2" HMOL POLY PIPE SDR-7 200 PSI
G	2	2" METER SETTER, FORD NO. VBH 87-12B-11-77 (ONLY) W/ BRASS STREET 90
H	1	2" IDLER SCH. 80 (J=17") W/WASHERS
I	1	2" PVC PLUG, SCHEDULE 40/80
J	1	2" METER BOX - CARSON JUMBO #1730 W/PSL METER READING LID AND INSPECTION PLATE (MARKED FOR WATER) FOR NON TRAFFIC AREAS. WITH WRITTEN DISTRICT APPROVAL FOGTITE TYPE 2 (MARKED FOR WATER) W/ STEEL REINF. LID FOR TRAFFIC AREAS.
K	-	2" 90° BRASS STREET ELBOW
L	1	1-1/2" x 3" BRASS NIPPLE
M	1	1-1/2" x 2" BELL REDUCER
N	2	1-1/2" 90° BRASS STREET ELBOW
O	1	1-1/2" METER SETTER, FORD NO. VBH 86-12B-11-66 W/ BRASS STREET 90 OR VBH 76-12B
P	1	1-1/2" IDLER SCH. 80 (J=13") W/ WASHERS
Q	1	1-1/2" PVC PLUG, SCHEDULE 40/80

1-1/2" AND 2" METER SETTER REV. 10/19/17



3" AND 4" METER REV. 10/20/17



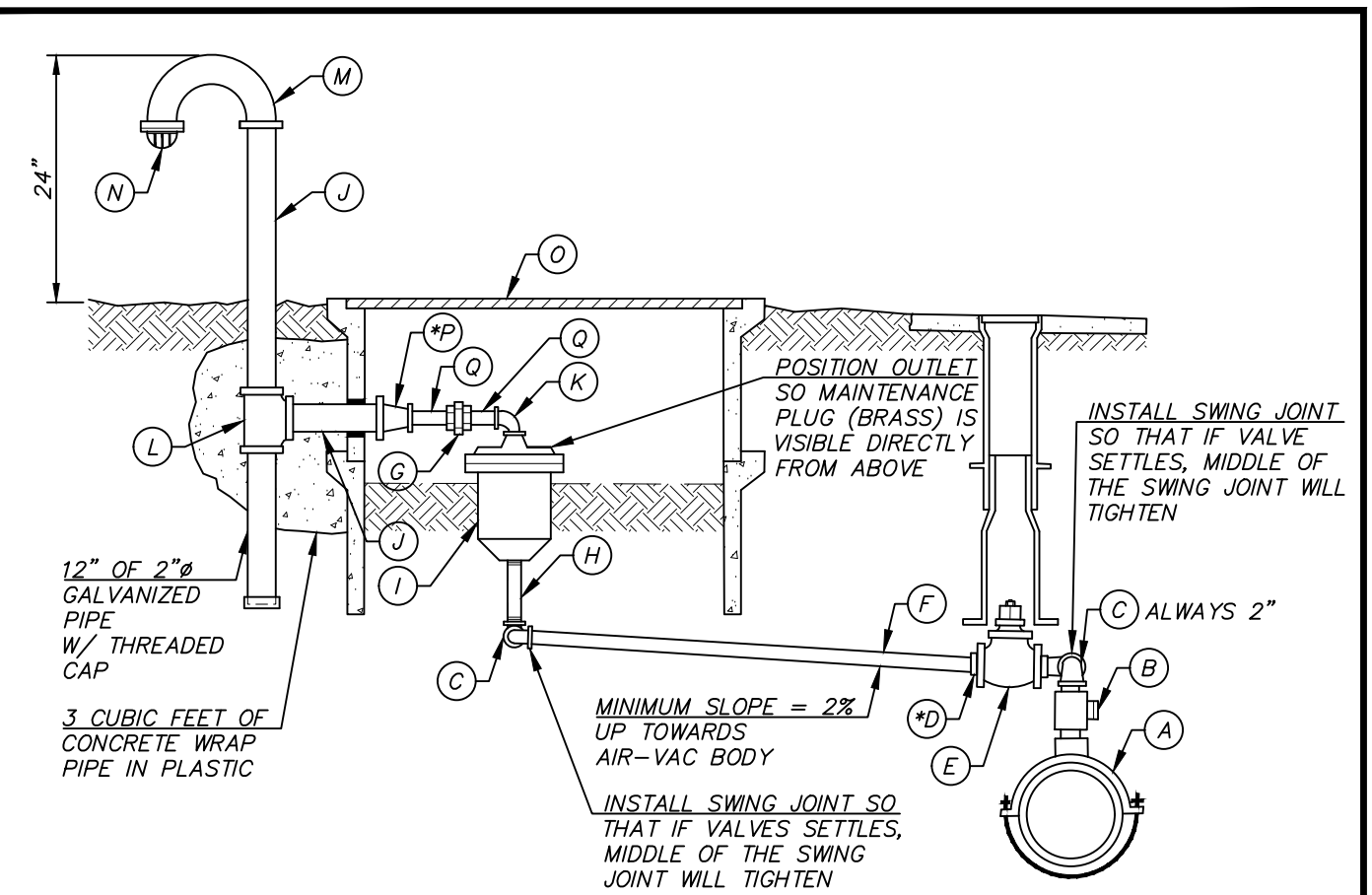
WATER MAIN TRENCH SECTION REV. 10/30/17

3" METER (ONLY)		4" METER (ONLY)	
A	3" GALV	H	4" DI
B	3" BLIND FLG TAPPED 2" (2 PLACES TYP)	I	4" BLIND FLANGE TAPPED 2" (2 PLACES TYP)
C	3" TEE (FLG)	J	4" TEE (FLG) (TYP)
D	4" x 3" REDUCER (FLxFL)	K	4" FCA (TYP)
E	4" FCA (TYP)	L	4" GATE VALVE (FLG) W/HAND WHEEL OPERATOR (TYP)
F	3" GATE VALVE (FLG) W/HAND WHEEL OPERATOR (TYP)	M	4" ADJUSTABLE PIPE SADDLE SUPPORT GRINNELL #264
G	3" ADJUSTABLE PIPE SADDLE SUPPORT GRINNELL #264		

NOTES

- VAULT COVER SHALL MATCH EXISTING GRADE OR 6" ABOVE IN UNIMPROVED AREAS.
- PAINT SCHEDULE:
EXTERIOR OF VAULT - BELOW GRADE TWO COATS OF BLACK BITUMASTIC SOLUTION (VAULT SHOULD BE DRIED WITH NO MOISTURE PRESENT PRIOR TO APPLICATION OF COATINGS)
PAINT INTERIOR PIPING (NON BRASS) - ONE (1) COAT RUST RESISTOR PRIMER TWO (2) COATS SAFETY BLUE SEMI GLOSS PAINT.
- IF POSITIVE DRAINAGE FROM VAULT CANNOT BE ACHIEVED A SUMP PUMP SYSTEM WILL BE REQUIRED WITH DISTRICT APPROVAL. POWER SHALL BE SUPPLIED AND MAINTAINED BY THE DEVELOPER.
- FLEXIBLE FITTING WHEN ENTERING AND EXITING VAULT WITHIN 5 FEET OF VAULT. IF (M/J) BELL CONNECTION IS WITHIN 5 FEET OF THE VAULT, FITTING MAY BE OMITTED (2 PLACES TYPICAL).
- CORE DRILL 1-3/4" HOLE IN ONE OF THE HATCHES NEAR CENTER FOR INSTALLATION OF AN ANTENNAE MOUNT, WHEN NOT IN TRAFFIC AREA.
- USE 2" THREADED BRASS AND UNION AS NEEDED.

3" AND 4" METER NOTES AND MATERIALS REV. 10/30/17



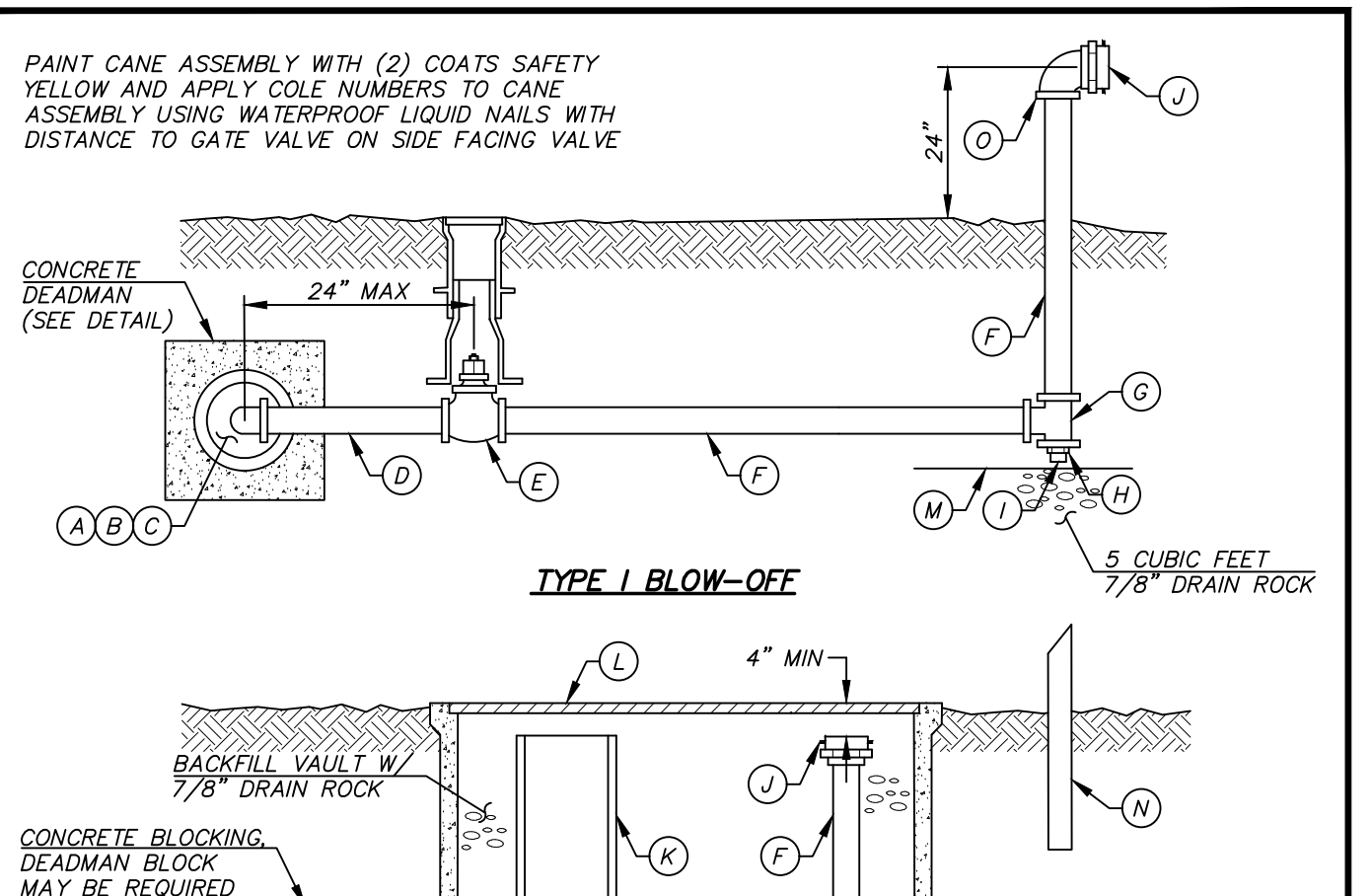
NOTES

- ALL PIPE AND FITTINGS TO BE GALVANIZED EXCEPT WHERE NOTED AND ASSEMBLED WITH TEFLON TAPE AND PIPE DOPE.
- LOCATION OF THE AIR AND VACUUM RELIEF ASSEMBLY AS SHOWN ON THE PLANS IS APPROXIMATE.
- INSTALLATION OF THE VALVE SHALL BE SET AT THE HIGH POINT OF THE LINE.
- PAINT CANE ASSEMBLY WITH TWO (2) COATS OF SAFETY YELLOW AND APPLY COLE LETTERS TO CANE ASSEMBLY WITH FOOTAGE TO VALVE ON SIDE FACING ROADWAY IN 1.5" COLE NUMBERS. APPLY WITH WATER PROOF LIQUID NAILS.
- PROVIDE 5-FOOT OF CLEARANCE FROM TREES, AND STRUCTURES, 18-INCHES FROM BUSHES.

MK	QTY	ITEM
A	1	2" ROMAC SADDLE I.P.T., DOUBLE STRAP STYLE 2025
B	1	2" CORPORATION STOP MIP X MIP, WITH NUT ON SIDE (NOT UNDER VALVE)
C	4	1" OR 2" BRASS STREET ELBOW, BRASS SWING JOINT W/ COUPLING OR 90° BEND
*D	1	2" x 1" BRASS BUSHING
E	1	2" GATE VALVE (FIP x FIP) W/2" SQUARE OPERATING NUT
F	1	1" OR 2" THREADED BRASS PIPE (LENGTH TO SUIT) ON FIRM SUBGRADE
G	2	1" OR 2" GALVANIZED UNION
H	1	1" OR 2" BRASS NIPPLE
I	1	1" OR 2" APCO AIR AND VACUUM RELIEF VALVE (#143-C FOR 1" AND #145-C FOR 2") OR DISTRICT APPROVED EQUAL (REPLACE IRON ACCESS PLUG WITH BRASS PLUG)
J	-	2" GALVANIZED SCH. 40 PIPE (LENGTH TO SUIT)
K	1	1" OR 2" GALVANIZED STREET 90° ELBOW
L	1	2" TEE
N	1	2" RETURN BEND, SCH. 40 GALVANIZED
O	2	BEEHIVE STRAINER GREENBURG P-24-08, MALE FOR 2" PIPE
P	1	FOGTITE TYPE II CONCRETE BOX WITH STEEL LID, REINFORCED FOUR SIDES OR DISTRICT APPROVED EQUAL MARKED "A.V."
*Q	1	2" x 1" GALVANIZED BELL REDUCER (NOT REQUIRED WITH A 2" ASSEMBLY)
*R	2	1" OR 2" GALVANIZED NIPPLE (ONLY ONE REQUIRED WITH 2")

* DENOTES ITEMS NOT REQUIRED WITH A 2" ASSEMBLY

1" AND 2" AIR AND VACUUM RELIEF VALVE ASSEMBLY REV. 10/20/17

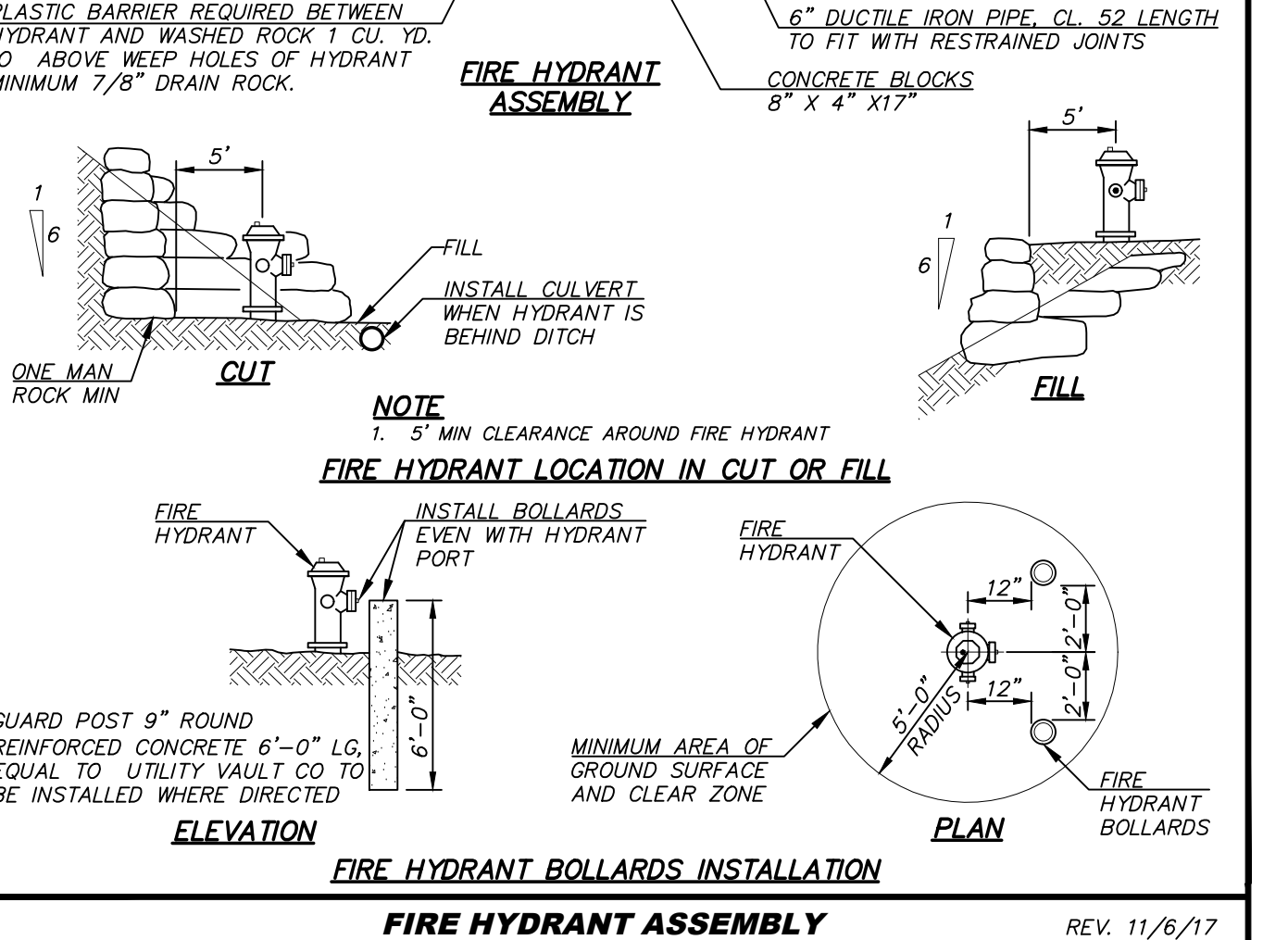
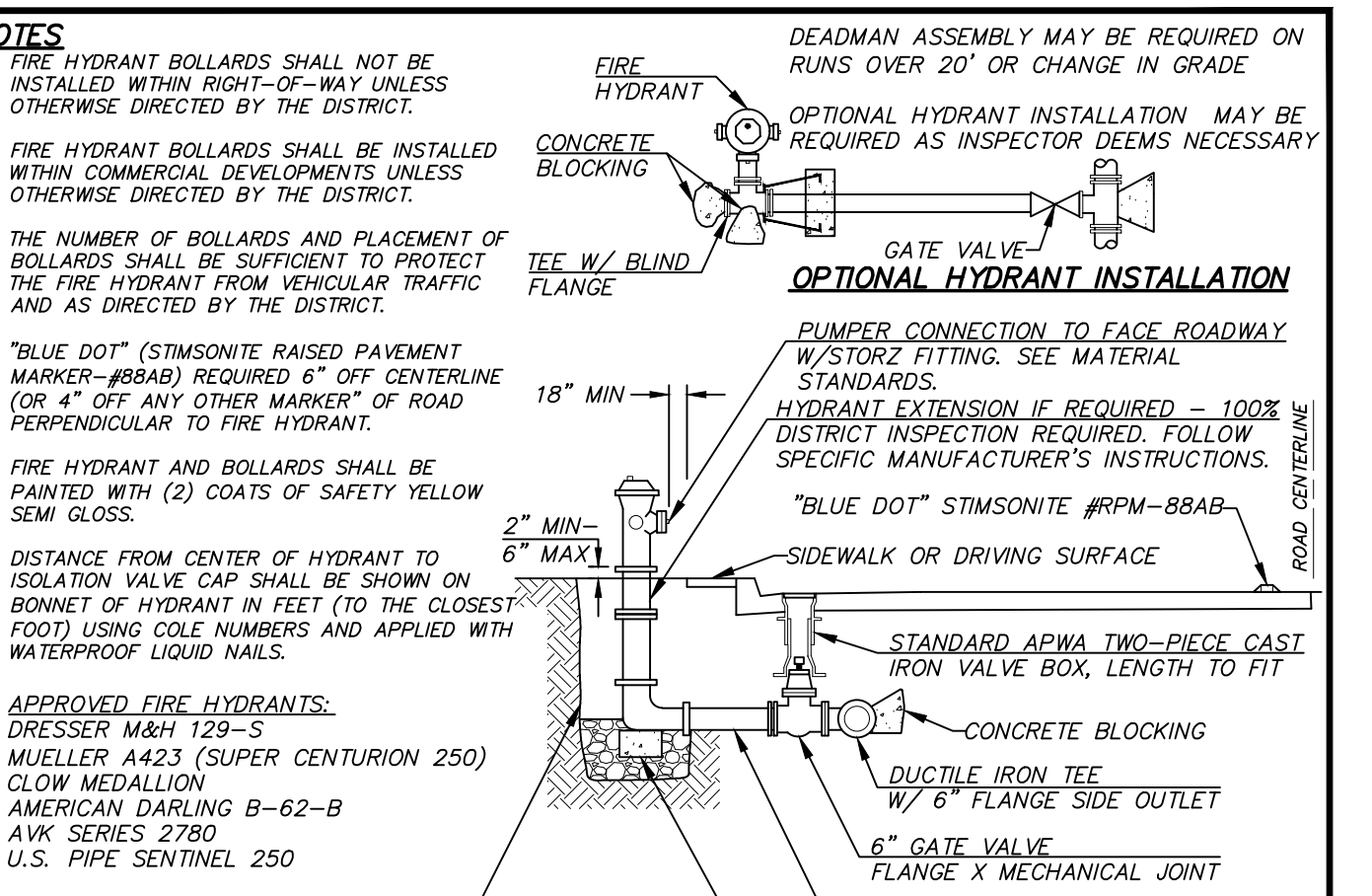


NOTE

- ALL PIPE AND FITTINGS TO BE GALVANIZED EXCEPT WHERE NOTES AND ALL ASSEMBLED WITH TEFLON TAPE AND PIPE DOPE.

ITEM	TYPE I QTY	TYPE II QTY	DESCRIPTION
A	1	1	CAP W/ 2" IPS TAP
B	1	1	2" x 6" BRASS NIPPLE
C	1	1	2" 90° BRASS BEND
D	-	-	2" BRASS PIPE (LENGTH TO SUIT)
E	1	1	2" GATE VALVE W/SQUARE OPERATING NUT
F	-	-	TYPE I REQUIRES CAST IRON VALVE BOX W/ DEEP SKIRT LID, TYPE II WITH 6" PVC PIPE ONLY
G	1	0	2" GALVANIZED IRON PIPE (LENGTH TO SUIT)
H	1	0	2" x 1/2" BUSHING
I	1	0	AUTOMATIC DRAIN VALVE - WEATHERMATIC 910
J	1	1	2" MIP X 2 1/2" NST FIRE HOSE ADAPTOR W/CAP
K	1	1	TYPE I (MIP), TYPE II (FIP) W/ 2" COUPLER
L	0	1	6" PVC (LENGTH TO SUIT)
M	0	1	FOGTITE TYPE 2 METER BOX W/ 3/8" SOLID STEEL TRAFFIC COVER (REINFORCED ON FOUR SIDES) AND H=20 LOADING MARKED "B.O."
N	0	1	FABRIC OR PLASTIC BARRIER
O	0	1	VALVE MARKER POST
*P	0	1	2" 90° GALV. BEND

TYPE I AND II BLOW-OFF ASSEMBLY REV. 10/20/17



FIRE HYDRANT ASSEMBLY REV. 11/6/17